

ASSEMBLY OF THE MULTIQUIP INCUBATOR TRAYS FOR CONVERSION TO QUAIL, BANTAMS, CHICKENS, OR TURKEYS.

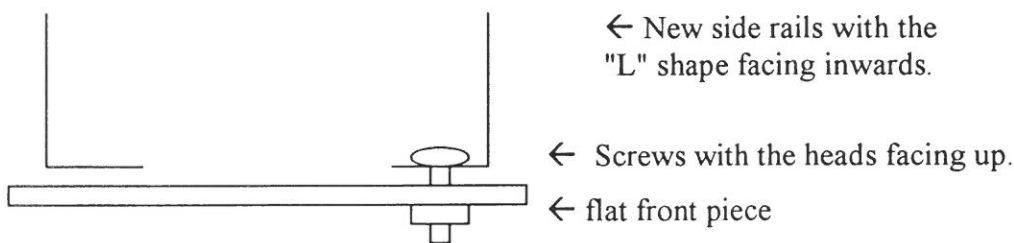
Bellsouth Pty. Ltd. ACN060646479
© Bellsouth Pty. Ltd 1999

FOR TURKEYS AND CHICKENS

The trays consist of four main components - the long left and right rails, the back piece and the front piece, plus the various screws required, and 6 chicken trays or 6 duck trays.

To assemble:

- Take the two longer left and right rails with the "L" shape inwards and the screw holes facing down. (see diagram)
- Place the shorter, "L" shaped, back piece across but **underneath** the end of the side rails with the "L" facing inwards. It should be on the end with the single hole.
- Place the flat front piece across but **underneath** the other end of the side rails, completing the rectangle.
- Place the screws through the holes in both the side rail and the end piece in each corner, with the head of the screw on the top. Place the screws in the outer holes of the short ends for chicken trays or in the inner holes for turkey trays. On the front end, place the screws through the middle hole on the side rails.



- Slide the trays into the machine frame with the short "L" shaped back piece first, facing the **back** of the machine. The screws in the flat bar act as locating lugs to prevent the trays from moving outwards.
- Ensure that the threaded ends of the screws are behind the bar of the frame already inside the machine, as this prevents the tray from easily sliding out.

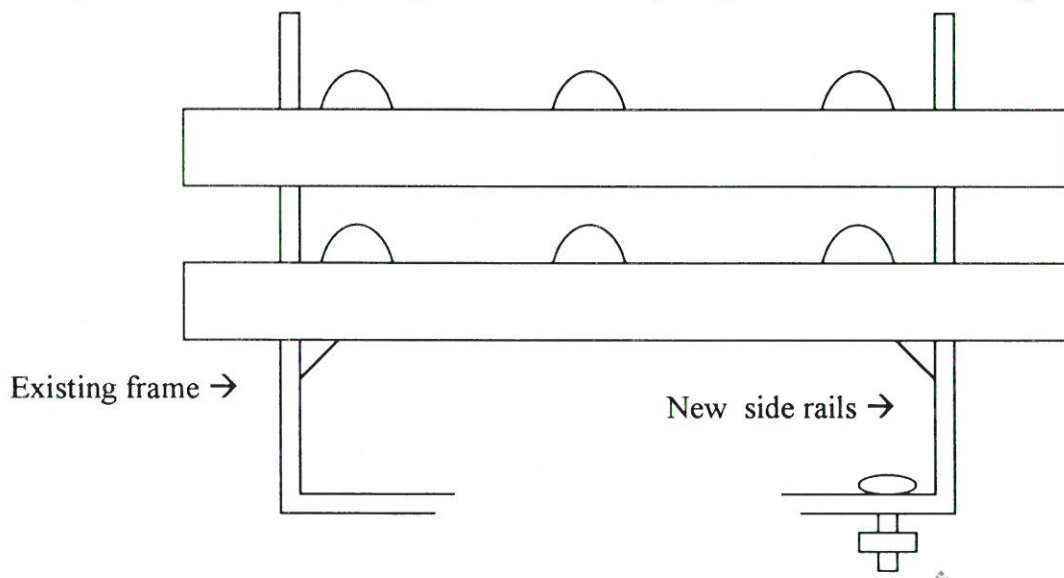
FOR QUAIL OR BANTAMS.

The trays consist of two main components - the long left and right rails, plus the various screws required, and 6 quail or bantam trays.

You will require a 5mm drill bit and a drill.

To assemble:

- Place the long "L" shaped side rails in the frame shelf, with the "L" facing inwards, the holes facing down and the three holes at the front of the frame. (see diagram)
- Position the rails flush with the front of the frame, and at the correct width apart to match the lugs on the bottom of the quail trays and prevent the trays from being loose.
- Clamp in place, then drill holes through the side rail and the pre-existing frame.
- Secure in place with the screws. The back piece and front piece are not used in the quail or bantam trays.
- Slide the quail trays in with the shorter sides of the trays resting on the rails.
- Quail trays can be doubled up by stacking the trays using the mounting poles on the trays. This will effectively double the capacity of the incubator. (see diagram)



BELLSOUTH RETAIL SALES PTY LTD

BOX 1233 NARRE WARREN 3805

PHONE (03) 9796 7044

FAX (03) 9796 7033